

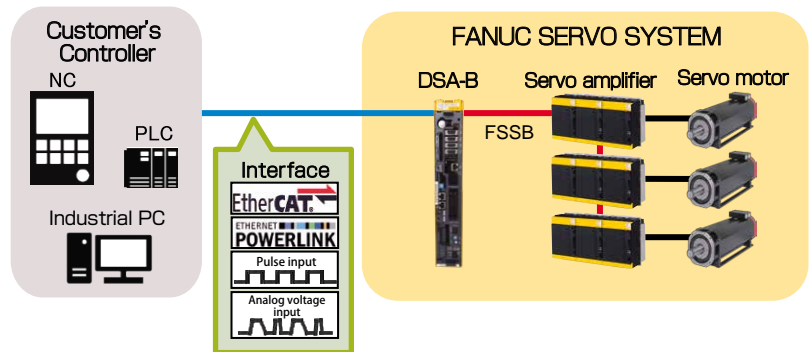
FANUC Digital Servo Adapter-MODEL B

FANUC Digital Servo Adapter-MODEL B (DSA-B) is an adapter for using FANUC servo motors by customer's controller.

- Customer's original technology can be used effectively.
- Interface matched to the controller can be selected.
- All line-up of FANUC servo motors are available.

Examples:

Injection molding machine, Press machine, Die cushion, Press brake, Carrier machine, Testing machine, etc



(*1) EtherCAT® is a registered trademark and patented network technology, licensed by Beckhoff Automation GmbH, Germany.
 (*2) Ethernet POWERLINK is a technology licensed by B&R Industry Automation GmbH, Austria

Interface



○ : Available, - : Not Available

Interface		EtherCAT	POWERLINK	Pulse	Analog voltage
Command method	Position	○	○	○	-
	Velocity	○	○	-	○
	Torque	○	○	-	○
Maximum servo number	Windings (*1)	1	16	4	4
		2	8 (*2)		
		4	6 (*2)		
Maximum spindle number		4	-	-	-
Tandem control (*3)		○	○	○	○
Pressure control		○	○	-	-

(*1) A large servo motor of FANUC is controlled by multiple windings and amplifiers.
 (*2) In case of using spindle motor, maximum servo number is 6 (2 windings) or 2 (4 windings).
 (*3) A single axis can be driven by multiple motors. So it can get large torque.

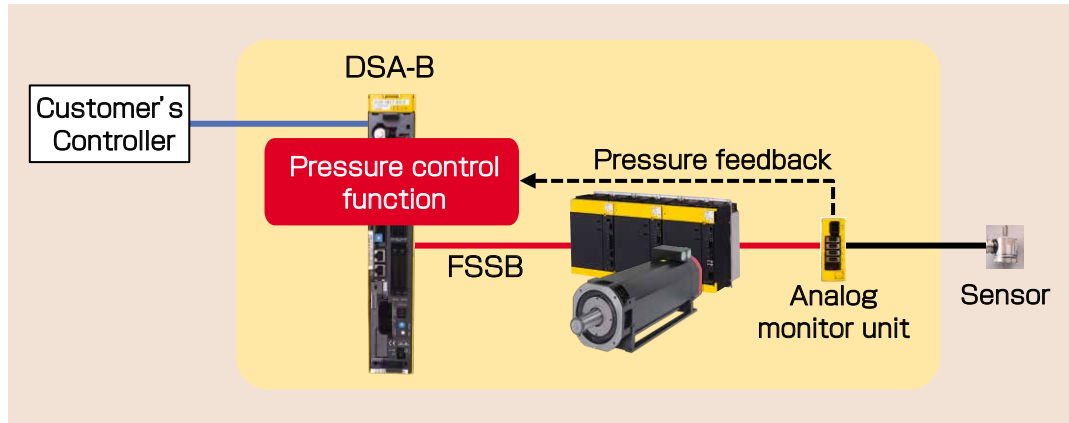
Motors and amplifiers

Promoting High-Speed, High-Precision, Compact Size and High-Efficiency for Industrial Machines

- Wide range line-up
 Servo motor, linear motor and synchronous built-in servo motor with wide output range from small to large are lined-up, these can support to various industrial machines. Various models with either 200V input or 400V input are available, and it is possible to select these models flexibly according to the input voltage of the delivery area.
- Compact size
 Downsizing of motor and amplifier is achieved by optimum design, so that contributes to downsize industrial machine.
- Energy saving
 Energy saving is achieved by the latest high efficiency power devices and power source regeneration.
- Control technology
 High stability is achieved by tandem control that prevents interference between driving of multiple motors.



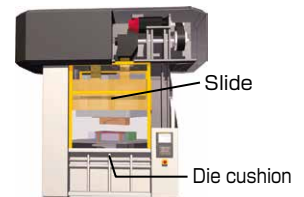
- Position control (or velocity control) and pressure control are smoothly switched by the pressure control function inside DSA-B.
- By using this function, stable pressure control without delay can be realized.



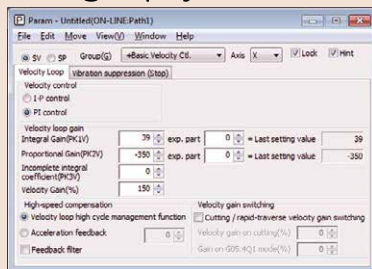
Easy to use servo tuning tool

FANUC SERVO GUIDE Plus

- This is the integrated tuning tool for parameter setting and data measurement of servo axes.
- This tool enables to confirm the motion of motors by the waveform. It is useful for tuning and trouble shooting for industrial machines.

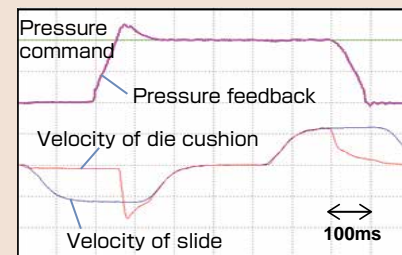


Example of parameter setting display



FANUC SERVO GUIDE Plus

Example of motion waveform of press machine



Excellent Maintenance Services

FANUC service team delivers customer trust and confidence based on direction of service "Maximizing Uptime", "Global Service" and "Lifetime maintenance".

Service First

Conforming to the spirit of "Service First", FANUC provides lifetime maintenance to its products for as long as they are used by customers, through more than 270 service locations supporting more than 100 countries and regions throughout the world.

Maximizing Uptime



FANUC CORPORATION

• Headquarters 3580, Shibokusa, Oshino-mura, Minamitsuru-gun Yamanashi, 401-0597, JAPAN
Phone: (+81)555-84-5555 <https://www.fanuc.co.jp/>

• Overseas Affiliated Companies

FANUC America Corporation	Phone: (+1)248-377-7000	https://www.fanucamerica.com/
FANUC Europe Corporation, S.A.	Phone: (+352)727777-1	https://www.fanuc.eu/
BEIJING-FANUC Mechatronics CO., LTD	Phone: (+86)10-6298-4726	http://www.bj-fanuc.com.cn/
KOREA FANUC CORPORATION	Phone: (+82)55-278-1200	https://www.fkc.co.kr/
TAIWAN FANUC CORPORATION	Phone: (+886)4-2359-0522	https://www.fanuctaiwan.com.tw/
FANUC INDIA PRIVATE LIMITED	Phone: (+91)80-2852-0057	https://www.fanucindia.com/

• All specifications are subject to change without notice.
• No part of this catalog may be reproduced in any form.
• The products in the Digital Servo Adapter-MODEL B listed in this catalog are not subject to Items 2 to 15 in the Attachment to the Foreign Exchange Order of the "Foreign Exchange and Foreign Trade Law" but are subject to Item 16 (catch-all controls).
The export from Japan may be subject to an export license by the government of Japan.
Further, re-export to another country may be subject to the license of the government of the country from where the product is re-exported. Furthermore, the product may also be controlled by re-export regulations of the United States government.
Should you wish to export or re-export these products, please contact FANUC for advice.

© FANUC CORPORATION, 2019

Digital Servo Adapter-MODEL B(E)-02, 2024.9, Printed in Japan