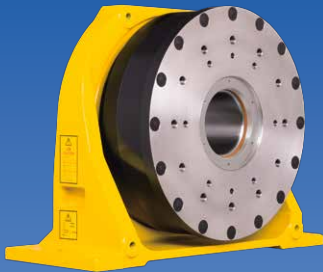


# FANUC Positioner



1-axis positioner



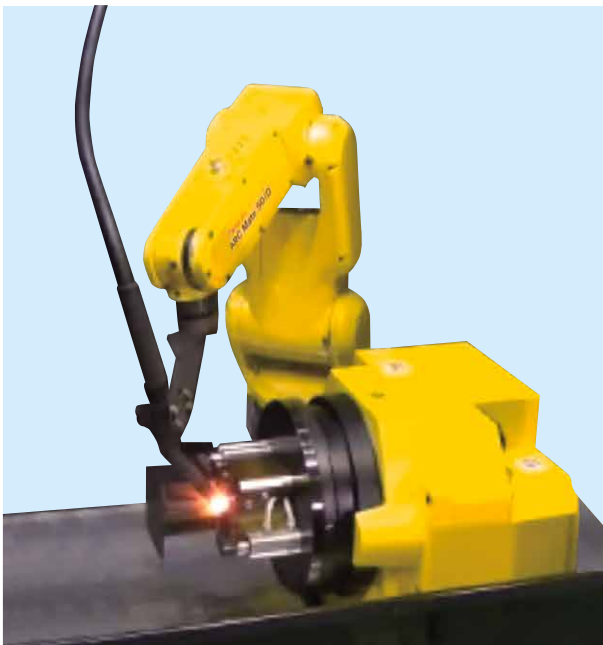
2-axis positioner

## Features

This is the Positioner for robot system. The positioner can move with high speed, high accuracy, and high payload by using the same drive unit as a robot.

- A coordinated motion function integrated into FANUC Robot makes it possible to keep optimized constant relative speed and posture.
- The positioner is realized to be a compact body with improved allowable moment, inertia, and load capacity.
- For 2-axis positioner, a welding earth cable and plenty piping/wiring are integrated into a hollow drive mechanism. For 1-axis positioner, a hollow type and a small type are available.
- For 1-axis positioner, a follower unit is available, and a long part can be welded. Also the continuous turn option of welding earth cable and plenty piping/wiring is available.
- ROBOGUIDE can be used to create a coordinated motion program easily.
- The positioner can be installed on the floor, upside-down or inclined at any angle.

## Application system



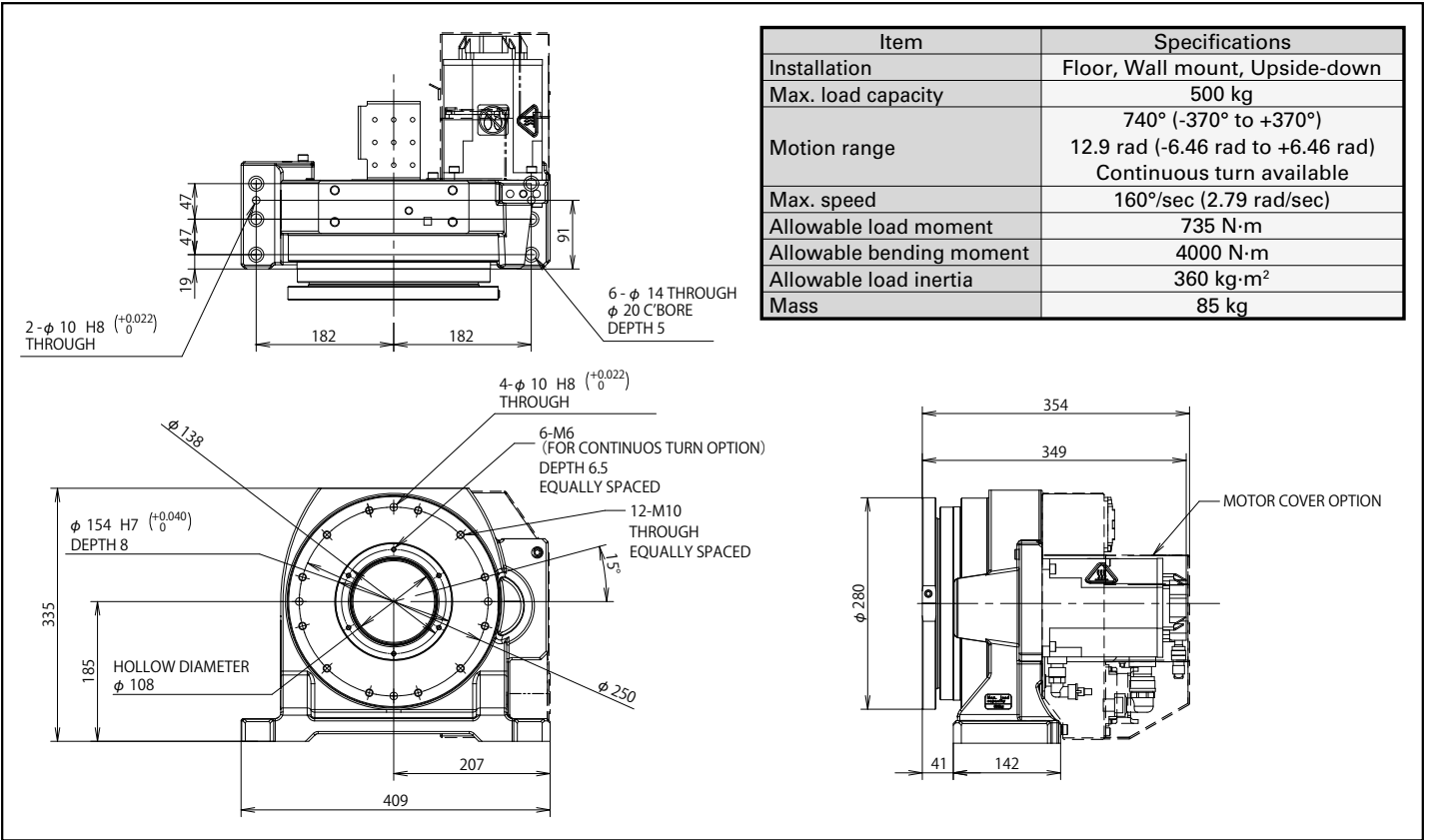
Aluminum part arc welding with 1-axis positioner with continuous turn option installed



Automobile part arc welding with 2-axis positioner

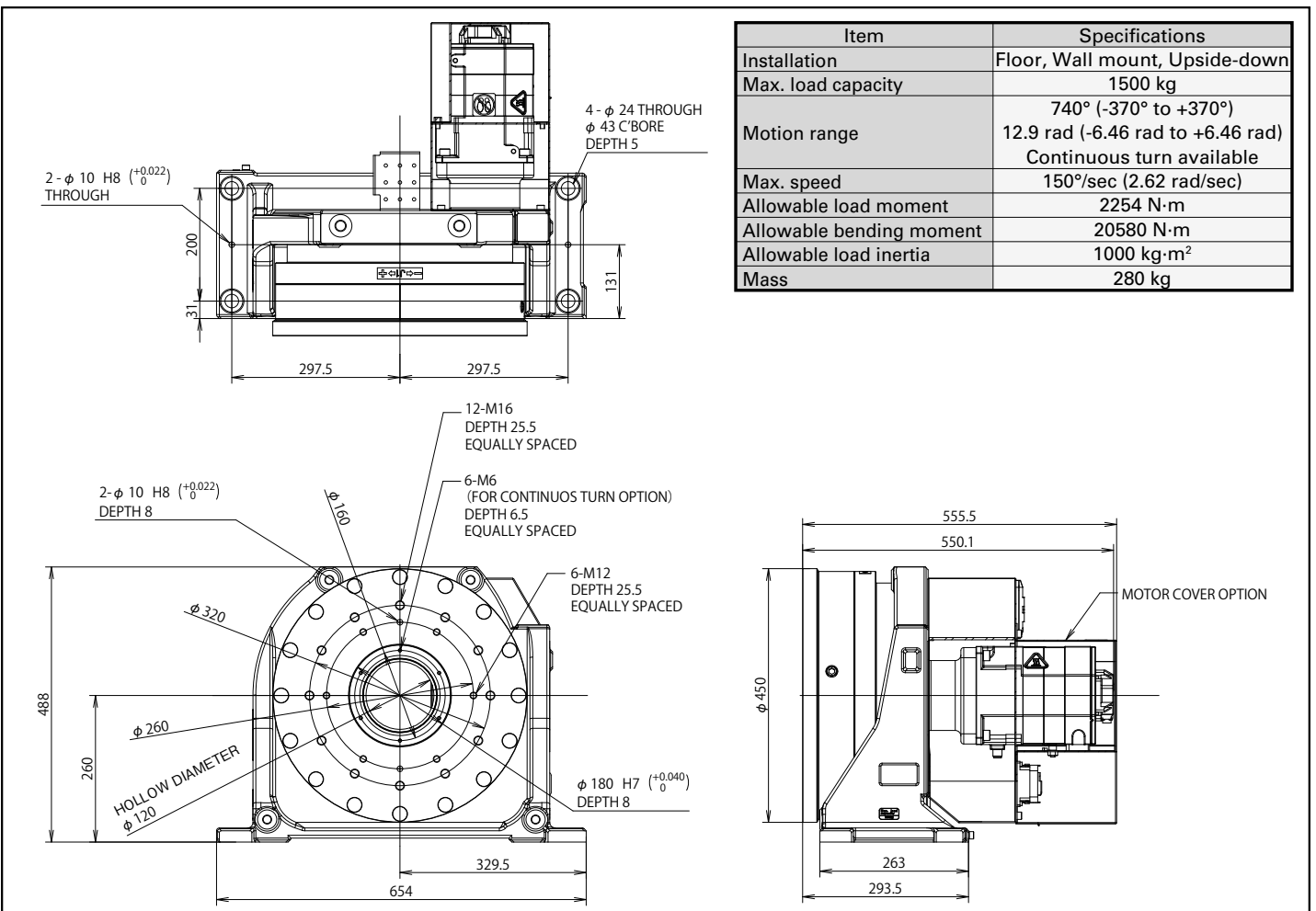
# 1-axis positioner for 500kg payload(hollow type)

## Specifications and Outer Dimensions



# 1-axis positioner for 1500kg payload(hollow type)

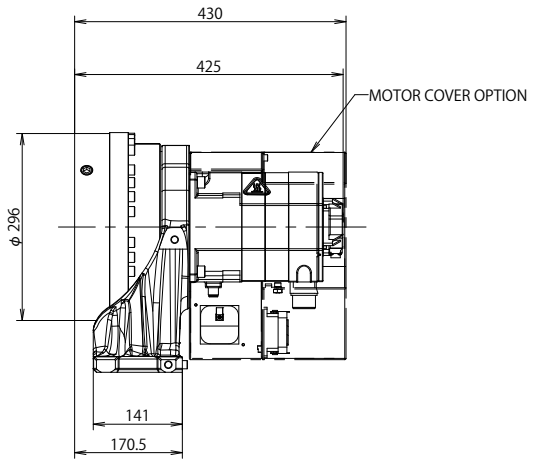
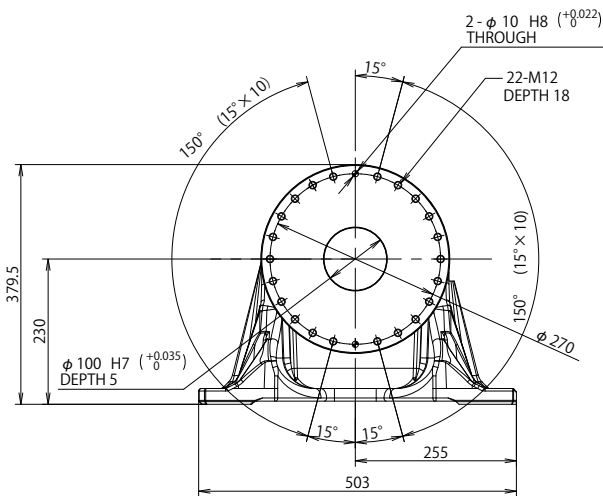
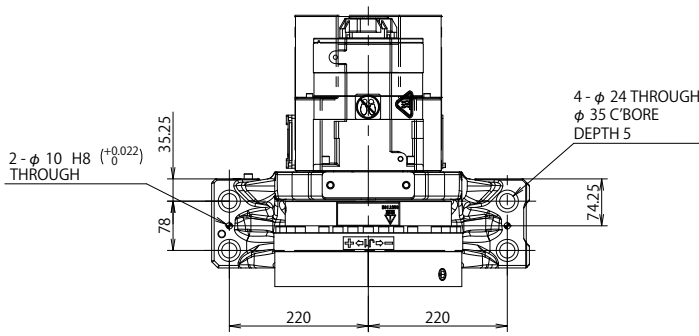
## Specifications and Outer Dimensions



# 1-axis positioner for 2000kg payload (small type)

## Specifications and Outer Dimensions

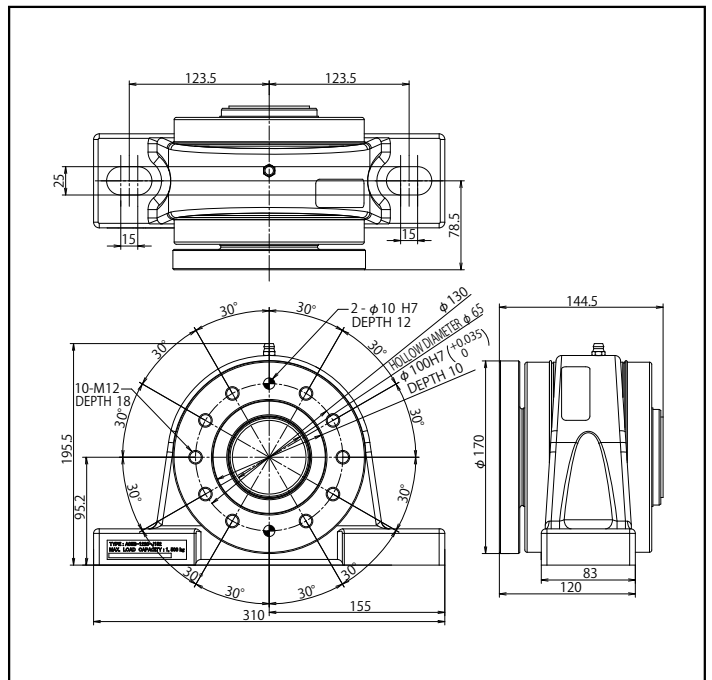
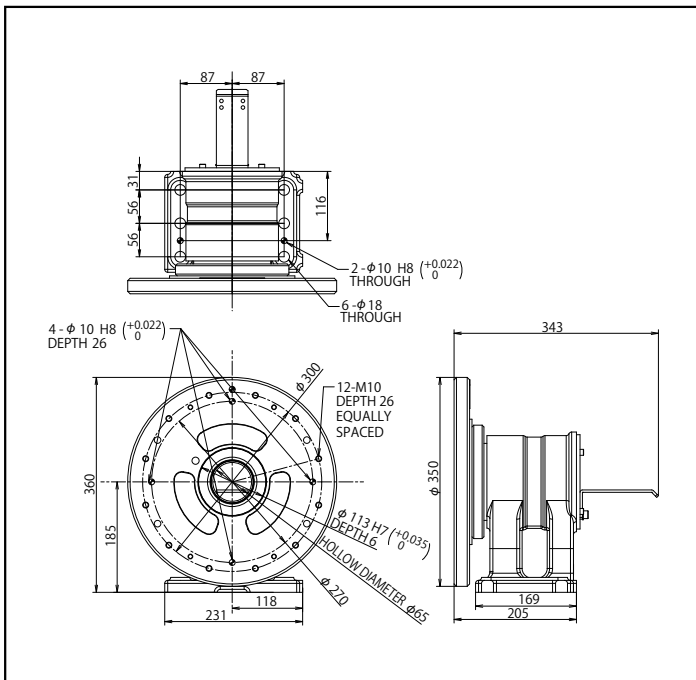
Item	Specifications
Installation	Floor, Wall mount, Upside-down
Max. load capacity	2000 kg
Motion range	740° (-370° to +370°) 12.9 rad (-6.46 rad to +6.46 rad) Continuous turn available
Max. speed	120°/sec (2.09 rad/sec)
Allowable load moment	2740 N·m
Allowable bending moment	7056 N·m
Allowable load inertia	1500 kg·m <sup>2</sup>
Mass	120 kg



# Follower unit for 1-axis positioner for 500kg, 1500kg, and 2000kg payloads

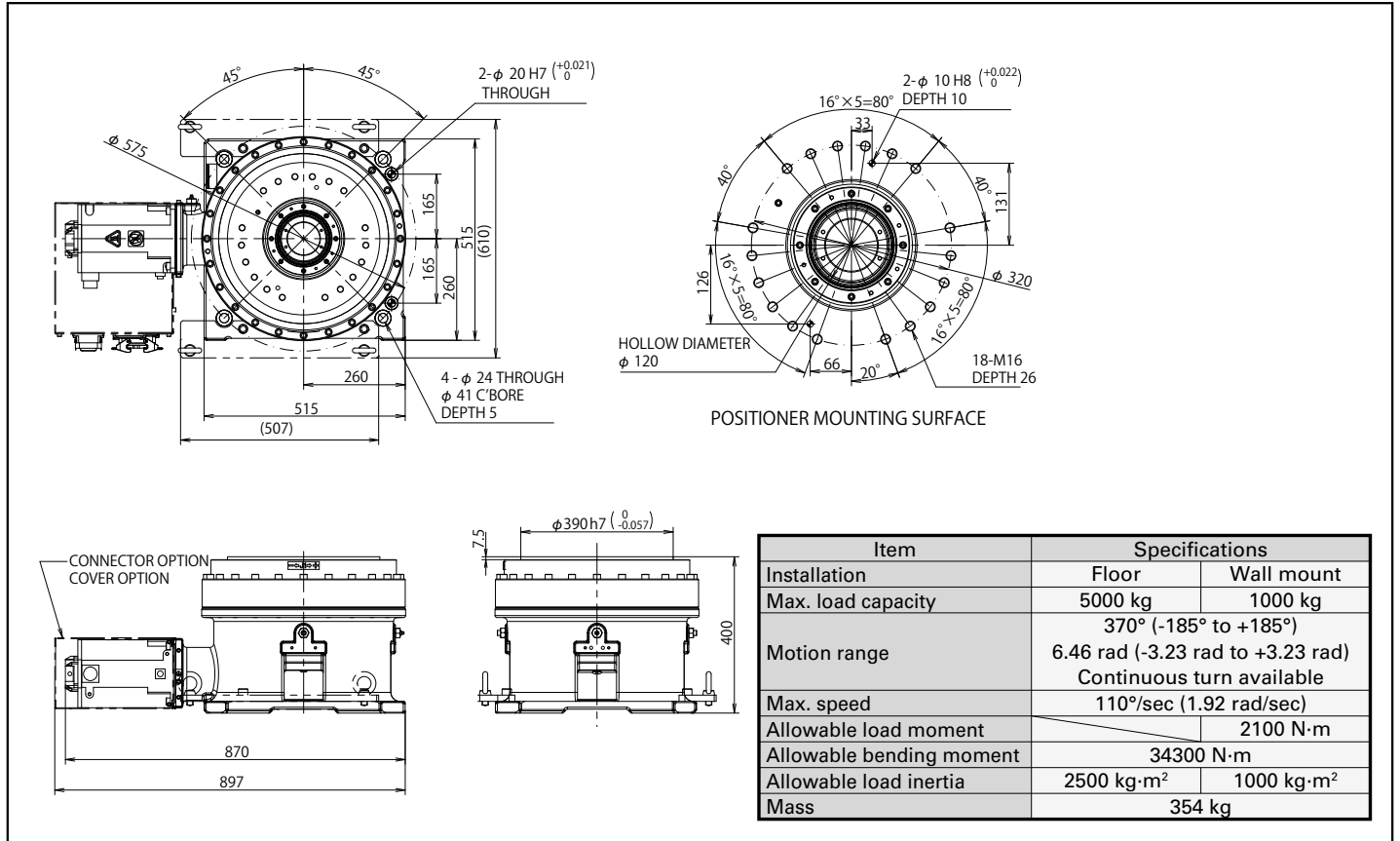
## Outer Dimensions Insulated flange

## Outer Dimensions Non-insulated flange



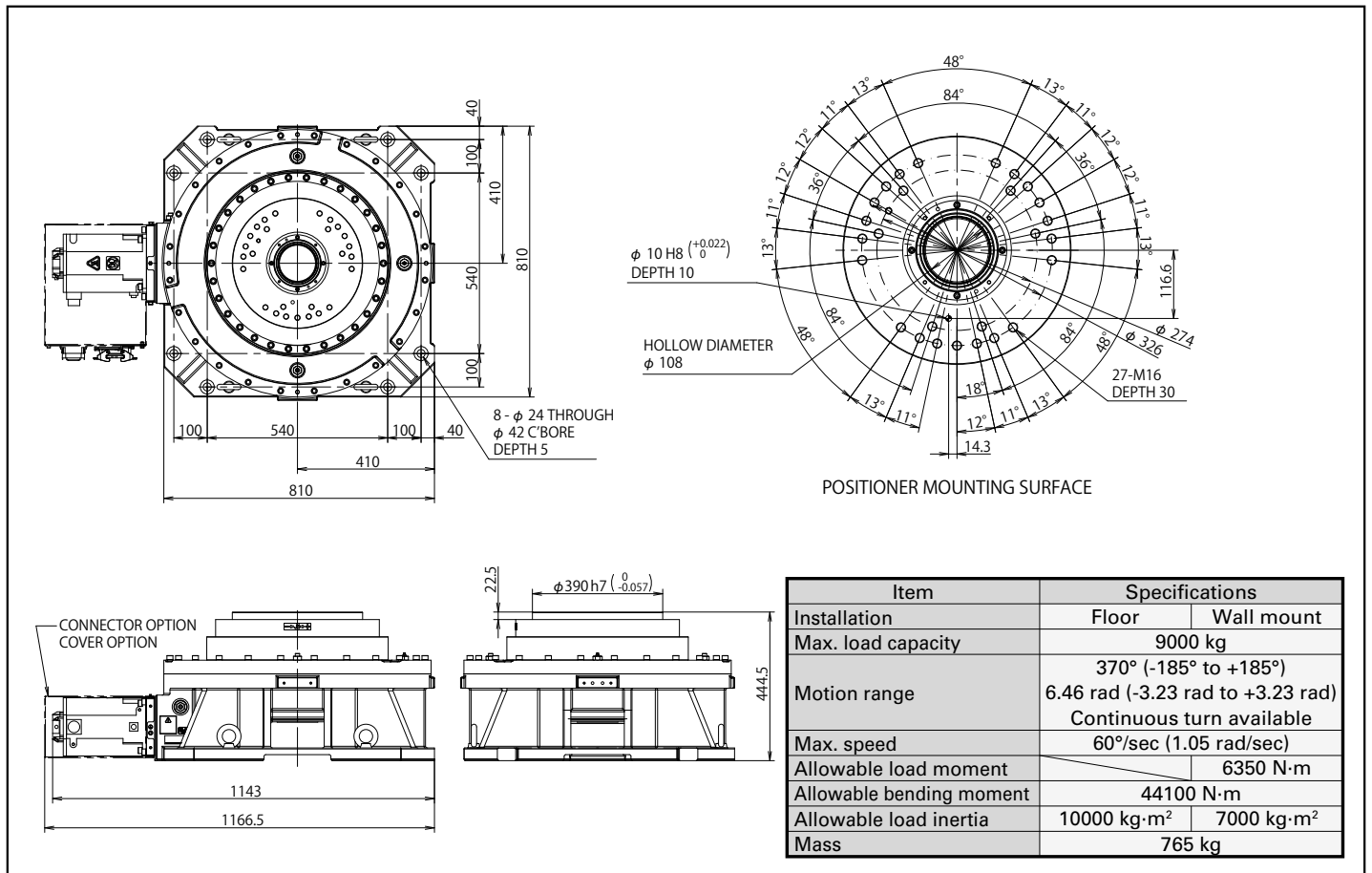
# 1-axis positioner for 5000kg payload

## Specifications and Outer Dimensions



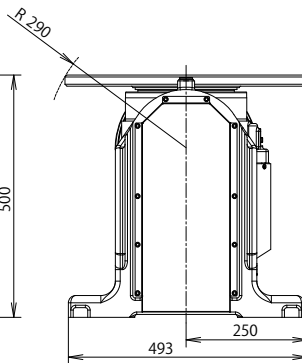
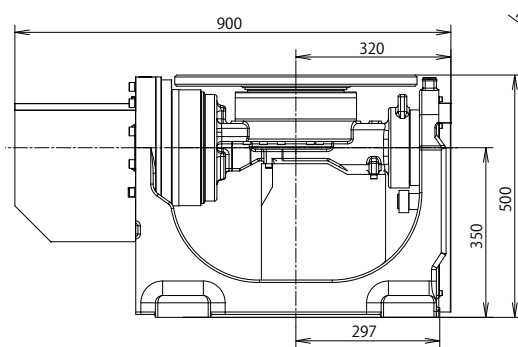
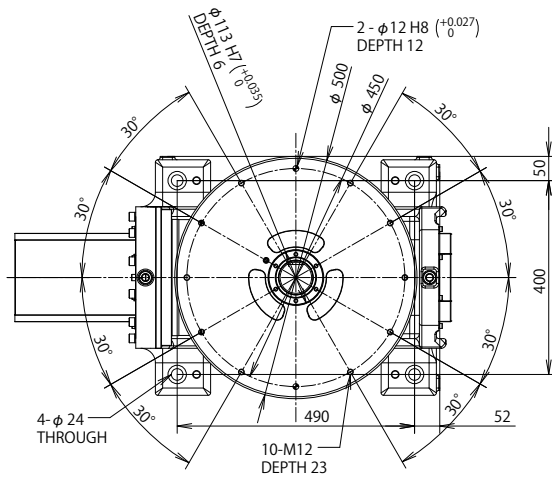
# 1-axis positioner for 9000kg payload

## Specifications and Outer Dimensions



# 2-axis positioner

## Specifications and Outer Dimensions



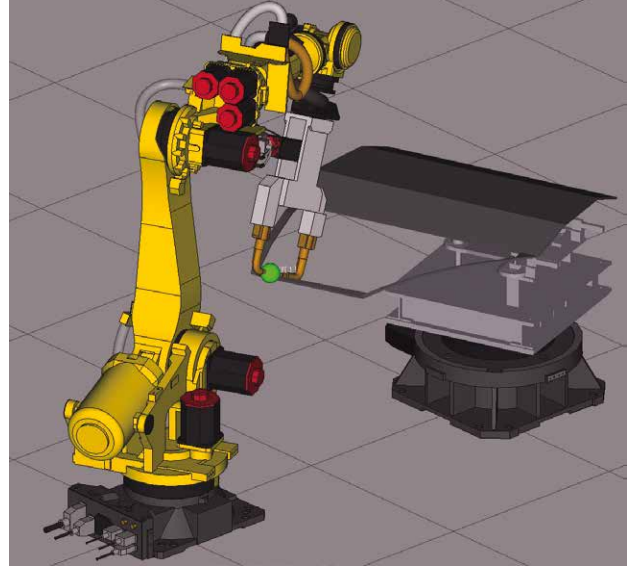
Item	Specifications	
Installation	Floor, Wall mount, Upside-down	
Max. load capacity	500 kg	
Motion range	J1axis	270° (-135° to +135°) 4.72 rad (-2.36 rad to +2.36 rad)
	J2axis	480° (-240° to +240°) 8.38 rad (-4.19 rad to +4.19 rad)
Max. speed	J1axis	120°/sec 2.09 rad/sec
	J2axis	190°/sec 3.32 rad/sec
Allowable load moment	J1axis	1764 N·m
	J2axis	686 N·m
Allowable load inertia	J1axis	300 kg·m <sup>2</sup>
	J2axis	100 kg·m <sup>2</sup>
Mass	295 kg	

## Application system other than arc welding

Laser welding with 2-axis positioner

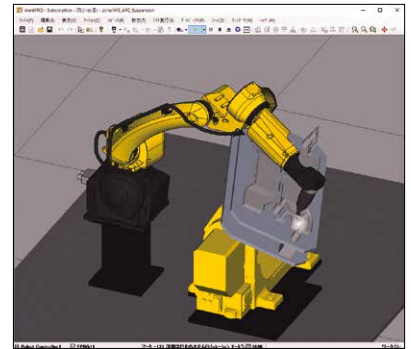
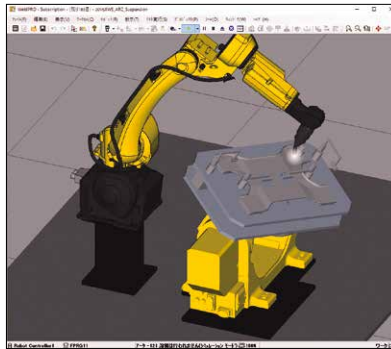
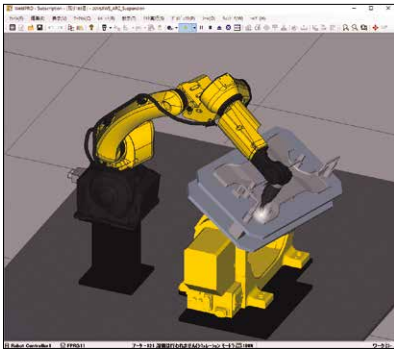


Spot welding with 1-axis positioner for 9000kg payload



## ROBOGUIDE Offline Teaching

Multi-arm coordinated motion is generated by ROBOGUIDE.



# FANUC CORPORATION

● Overseas Affiliated Companies  
 FANUC America Corporation  
 FANUC Europe Corporation, S.A.  
 SHANGHAI-FANUC Robotics CO., LTD.  
 KOREA FANUC CORPORATION  
 TAIWAN FANUC CORPORATION  
 FANUC INDIA PRIVATE LIMITED  
 FANUC SINGAPORE PTE. LTD.  
 FANUC THAI LIMITED  
 FANUC MECHATRONICS (MALAYSIA) SDN. BHD.  
 PT. FANUC INDONESIA  
 FANUC OCEANIA PTY. LIMITED  
 FANUC SOUTH AFRICA (PROPRIETARY) LIMITED

Phone: (+1)248-377-7000  
 Phone: (+352)727777-1  
 Phone: (+86)21-5032-7700  
 Phone: (+82)55-278-1200  
 Phone: (+886)4-2359-0522  
 Phone: (+91)80-2852-0057  
 Phone: (+65)6567-8566  
 Phone: (+66)2-714-6111  
 Phone: (+60)3-3082-1222  
 Phone: (+62)21-4584-7285  
 Phone: (+61)2-8822-4600  
 Phone: (+27)11-392-3610

● Headquarters 3580, Shibokusa, Oshino-mura, Minamitsuru-gun  
 Yamanashi, 401-0597, JAPAN  
 Phone: (+81)555-84-5555 <https://www.fanuc.co.jp/>

<https://www.fanucamerica.com/>  
<https://www.fanuc.eu/>  
<https://www.shanghai-fanuc.com.cn/>  
<https://www.fkc.co.kr/>  
<https://www.fanuctaiwan.com.tw/>  
<https://www.fanucindia.com/>  
<https://www.fanuc.com/fsp/>  
<https://www.fanuc.com/fth/>  
<https://www.fanuc.com/fmm/>  
<https://www.fanuc.com/fin/>  
<https://www.fanucoceania.com.au/>  
<https://fanuc.co.za/>

● All specifications are subject to change without notice.  
 ● No part of this catalog may be reproduced in any form.  
 ● The products in this catalog are controlled based on Japan's "Foreign Exchange and Foreign Trade Law". The export from Japan may be subject to an export license by the government of Japan. Further, re-export to another country may be subject to the license of the government of the country from where the product is re-exported. Furthermore, the product may also be controlled by re-export regulations of the United States government. Should you wish to export or re-export these products, please contact FANUC for advice.

© FANUC CORPORATION, 2015

Positioner(E)-04, 2024.10, Printed in Japan