

DD Motor achieving Large Torque and Smooth Rotation

# FANUC

## DD MOTOR *Di*S-B series



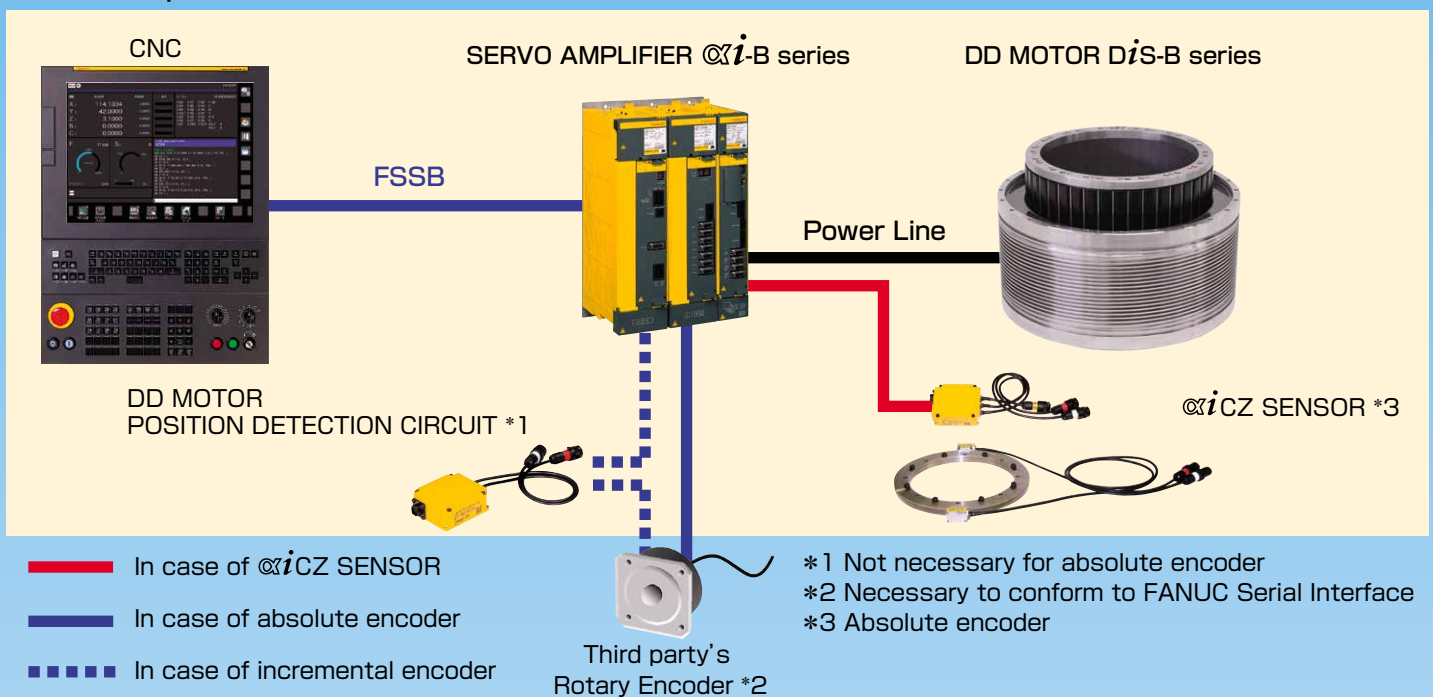
# FANUC DD MOTOR $\alpha$ iS-B series

## Features

- Large torque by strong neodymium magnets
- Low torque ripple by optimum magnetic circuit design
- Standard models applicable to both 200V and 400V input
- High speed, high precision, and maintenance free by direct drive
- Suited to rotary tables of a machine tools and rotary axes of 5-axis machines
- Water cooling available as well as current oil cooling

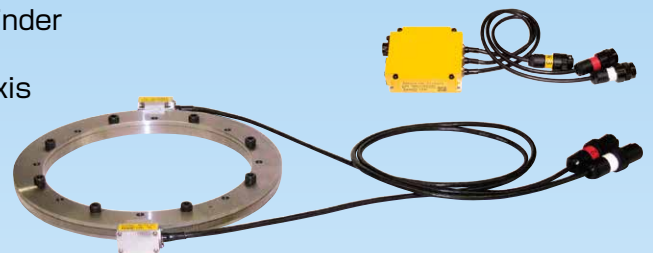
## System configuration

FANUC's products



## $\alpha$ iCZ SENSOR

High reliability by simple and strong structure  
 High accuracy sensor gear manufactured by gear grinder  
 with FANUC original learning control  
 Compact structure contributing to compact rotary axis

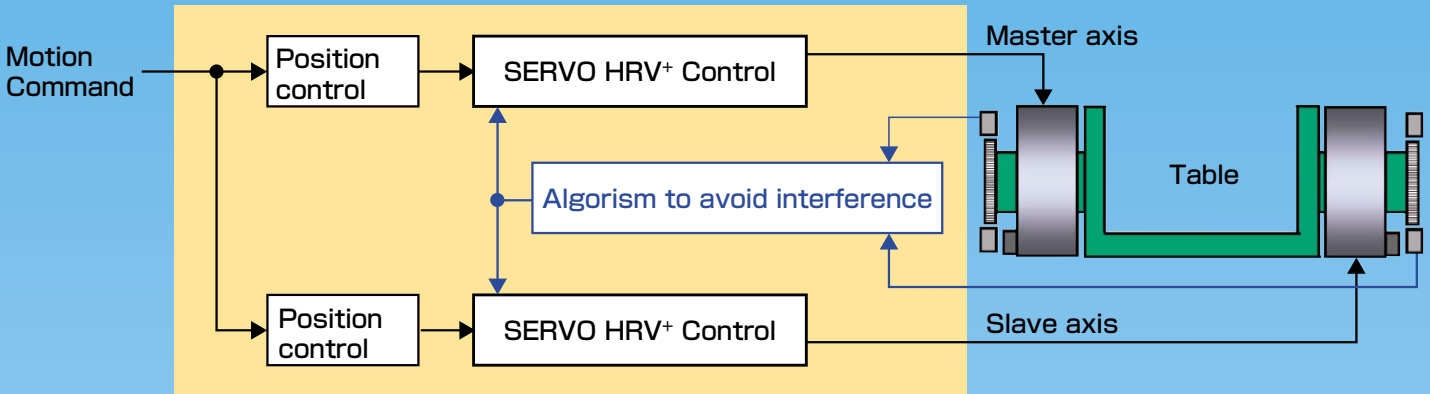


## Control Technologies

### SERVO HRV<sup>+</sup> Control

SERVO HRV<sup>+</sup> Control which is the latest digital servo technology realizes high speed and high precision machining.

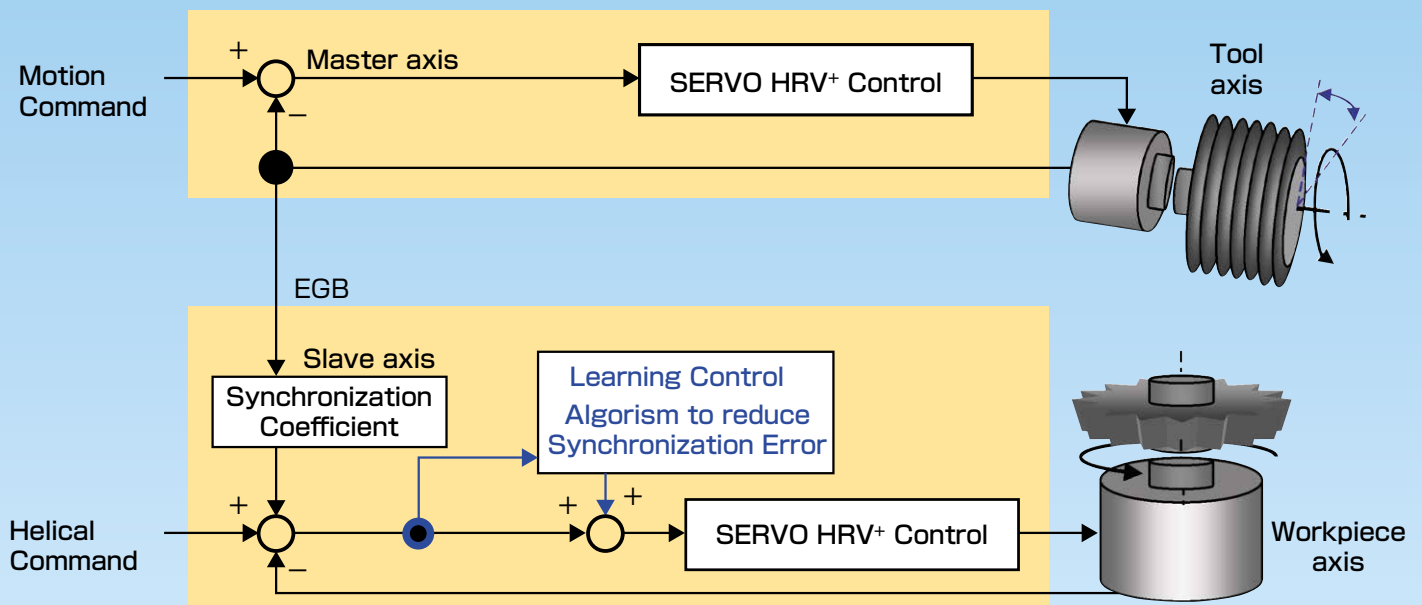
In case of driving one axis by plural motors, sometimes stability is not secured because of interference between motors. Stabilizing functions to prevent interference between axes, are prepared in order to secure stability.



### Servo Learning Control

Combination of DD Motor and Learning Control, which achieves high precision, is best suited to cam grinding or gear cutting machine.

- Maximum 262 seconds learning time and maximum 24 learning profiles are available. (Suited to cam grinding machine)
- Combination of Learning Control and EGB (Electronic Gear Box) minimizes synchronization error. (Suited to gear cutting machine)



# Service & Support

## Excellent Maintenance Services

FANUC service team delivers customer trust and confidence based on direction of service “Maximizing Uptime”, “Global Service” and “Lifetime maintenance”.

### *Service First*

Conforming to the spirit of “Service First”, FANUC provides lifetime maintenance to its products for as long as they are used by customers, through more than 260 service locations supporting more than 100 countries and regions throughout the world.

#### Maximizing Uptime



## FANUC ACADEMY

FANUC ACADEMY operates versatile training courses to develop skilled engineers effectively in several days.



## FANUC CORPORATION

•Headquarters 3580, Shibokusa, Oshino-mura,  
Minamitsuru-gun Yamanashi, 401-0597, JAPAN  
Phone: (+81)555-84-5555 <https://www.fanuc.co.jp/>

### •Overseas Affiliated Companies

FANUC America Corporation	Phone: (+1)248-377-7000	<a href="https://www.fanucamerica.com/">https://www.fanucamerica.com/</a>
FANUC Europe Corporation, S.A.	Phone: (+352)727777-1	<a href="https://www.fanuc.eu/">https://www.fanuc.eu/</a>
BEIJING-FANUC Mechatronics CO., LTD	Phone: (+86)10-6298-4726	<a href="http://www.bj-fanuc.com.cn/">http://www.bj-fanuc.com.cn/</a>
KOREA FANUC CORPORATION	Phone: (+82)55-278-1200	<a href="https://www.fkc.co.kr/">https://www.fkc.co.kr/</a>
TAIWAN FANUC CORPORATION	Phone: (+886)4-2359-0522	<a href="https://www.fanuctaiwan.com.tw/">https://www.fanuctaiwan.com.tw/</a>
FANUC INDIA PRIVATE LIMITED	Phone: (+91)80-2852-0057	<a href="https://www.fanucindia.com/">https://www.fanucindia.com/</a>

• All specifications are subject to change without notice.  
• No part of this catalog may be reproduced in any form.  
• The products in this catalog are controlled based on Japan's " Foreign Exchange and Foreign Trade Law". The export from Japan may be subject to an export license by the government of Japan. Further, re-export to another country may be subject to the license of the government of the country from where the product is re-exported. Furthermore, the product may also be controlled by re-export regulations of the United States government. Should you wish to export or re-export these products, please contact FANUC for advice.